

# LUG NUTS, REMOVERS & INSTALLERS

## CHROME LUG NUTS - AUTOMOTIVE



PART #	DESCRIPTION & BOX QUANTITY
1704	1/2" - 20 NUT 1 3/8" LONG W/ 13/16" BULGE / 50
1902	7/16" - 20 NUT 1 3/8" LONG W/ 3/4" BULGE / 50
1904	1/2" - 20 NUT 1 3/8" LONG W/ 3/4" BULGE / 50
1906	12mm x 1.25 NUT 1 3/8" LONG W/ 3/4" BULGE / 50
1907	12mm x 1.50 NUT 1 3/8" LONG W/ 3/4" BULGE / 50
1909	14mm x 1.50 NUT 1 3/8" LONG W/ 3/4" BULGE / 50
1909L	14mm x 1.50 NUT 2" LONG W/ 3/4" BULGE / 50
1912L	12mm x 1.75 NUT 1 3/4" LONG W/ 3/4" BULGE / 50
1914L	14mm x 2.0 NUT 1 7/8" LONG W/ 3/4" BULGE / 50
3010	9/16" - 18 NUT 1 7/8" LONG W/ 7/8" BULGE / 32
3310	9/16" - 18 NUT 3" LONG WITH 7/8" BULGE / 32

## ANTISEIZE AND PENETRATING OILS



80078	8 oz. PERMATEx ANTISEIZE
PB-16	11 oz. BLASTER PENETRATING OIL
4602	10 oz. JOHNSEN'S PENETRATING OIL

## STANDARD INNER & OUTER TRUCK NUTS

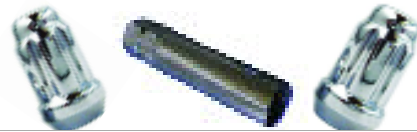


LN	LEFT HAND OUTER NUT
RN	RIGHT HAND OUTER NUT
1LS	LEFT HAND STEEL TO STEEL INNER 2 1/4" LONG
1RS	RIGHT HAND STEEL TO STEEL INNER 2 1/4" LONG
2LS	LEFT HAND STEEL TO ALUM. INNER 2 5/8" LONG
2RS	RIGHT HAND STEEL TO ALUM. INNER 2 5/8" LONG
3LS	LEFT HAND ALUM. TO ALUM. INNER 3 1/8" LONG
3RS	RIGHT HAND ALUM. TO ALUM. INNER 3 1/8" LONG

## METRIC INNER & OUTER TRUCK NUTS

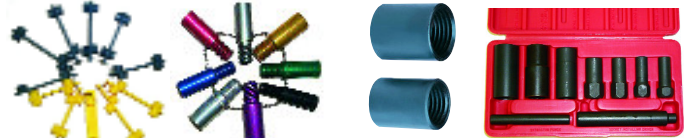
GL-1009	RIGHT HAND STEEL TO STEEL INNER 2 7/16" LONG	Generally used on Hino & Isuzu trucks
GL-1010	LEFT HAND STEEL TO STEEL INNER 2 7/16" LONG	
GL-2009	RIGHT HAND OUTER NUT	
GL-2010	LEFT HAND OUTER NUT	

## SPLINE DRIVE LUG NUTS & SOCKET



PART #	DESCRIPTION & BOX QUANTITY
98-0352	7/16" - 20 SPLINE NUT 1 1/2" LONG / 50
98-0354	1/2" - 20 SPLINE NUT 1 1/2" LONG / 50
98-0357	12mm x 1.50 SPLINE NUT 1 1/2" LONG / 50
98-0350	SPLINE SOCKET

## LUG NUT GAUGES & REMOVERS



T179	BOLT HOLE PATTERN GAUGE COVERING 30 PATTERNS
419	STUD THREAD GAUGE
2400K	2 PIECE WHEEL LOCK REMOVER KIT
30170	9 PIECE HUB CAP-WHEEL LOCK REMOVER KIT

## DAYTON & HUB PILOT



DN58	5/8" DAYTON NUT
DS58	5/8" DAYTON STUD 2 3/4" LONG
DN34	3/4" DAYTON NUT
DS34	3/4" DAYTON STUD 3" LONG
916	9/16" UNI LUG
33S	HUB PILOT METRIC UNI LUG

## CHROME NUT REMOVERS



30606	KEN TOOL HEAVY DUTY CHROME NUT REMOVER
-------	--

## TRUCK WHEEL SPACERS

10 Hole Budd	10 Hole Hub Pilot
PART #60100	PART #60102



## NO-MAR RIM GUARD

No-Mar rim guard prevents damage to all 10 hole truck wheels when removing and replacing lug nuts.

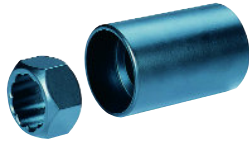


PART # 47-200

## BROKEN INNER NUT & WHEEL STUD REMOVERS

### TWO PIECE SYSTEM

**PART #  
2412**



Two piece broken inner nut remover kit includes part # 2414 drive on tool and part # 2415 1 1/8" rib nut that fits on the 13/16" square.

BUDD

DAYTON



2414

2415, 2419, 2420

2416, 2417

PART #	DESCRIPTION	APPLICATION
*2414	DRIVE ON TOOL ONLY	TOOL FOR DRIVING ON ALL RIB NUTS
*2415	1 1/8" (13/16" SQUARE HEAD) RIB NUT	FOR REMOVING BROKEN 13/16" SQUARE INNER NUTS
*2416	5/8" RIB NUT	FOR REMOVING BROKEN 5/8" WHEEL STUDS
*2417	3/4" RIB NUT	FOR REMOVING BROKEN 3/4" WHEEL STUDS
*2419	17mm SQUARE HEAD RIB NUT	FOR REMOVING BROKEN 17mm SQUARE INNER NUTS
*2420	21mm SQUARE HEAD RIB NUT	FOR REMOVING BROKEN 21mm SQUARE INNER NUTS

### ONE PIECE SYSTEM

BUDD

DAYTON



2422

2515

2516, 2517

PART #	DESCRIPTION	APPLICATION
*2422	DRIVE PIN ONLY	PIN FOR DRIVING OFF DAMAGED STUDS FROM RIB NUTS
*2515	1 1/8" (13/16" SQUARE HEAD) REMOVAL TOOL	FOR REMOVING BROKEN 13/16" SQUARE INNER NUTS
*2516	5/8" WHEEL STUD REMOVAL TOOL	FOR REMOVING BROKEN 5/8" WHEEL STUDS
*2517	3/4" WHEEL STUD REMOVAL TOOL	FOR REMOVING BROKEN 3/4" WHEEL STUDS

## DAYTON STUD INSTALLER



PART #	DESCRIPTION	APPLICATION
*2616	5/8" STUD INSTALLER	FOR INSTALLING 5/8" WHEEL STUDS
*2617	3/4" STUD INSTALLER	FOR INSTALLING 3/4" WHEEL STUDS

## OUTER BUDD NUT REMOVER



Tool removes 1 1/2" outer budd nuts when the edges become rounded off. →



**PART #  
\*2411**

**THREE PIECE SET INCLUDES**  
1-Drive On Rib Socket  
1-Drive On tool  
1-Drive Pin

Replacement Socket Part # \*2421

## 1/2" DRIVE USA TORQUE WRENCH



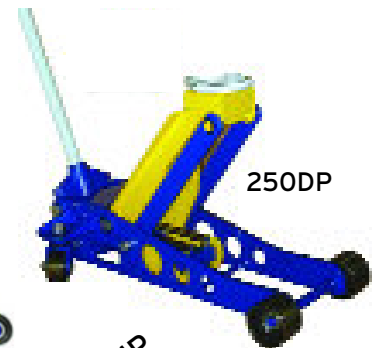
**PART # 97353**  
1/2" DRIVE 25-250 ft.lb. TORQUE WRENCH



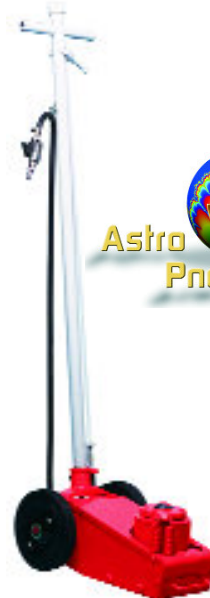
## ASTRO JACKS



200LP



250DP



AJ22FC



5304



5594



5302

PART #	CAPACITY	MIN HEIGHT	MAX HEIGHT	WEIGHT
200LP	2 TON	2 3/4"	19 5/8"	91 lbs.
250DP	2.5 TON	4 1/4"	19 1/4"	106 lbs.
5304	20 TON	7"	12 3/4"	25 lbs.
AJ22FC	22 TON	8 1/4"	17 3/4"	117 lbs.
5594	JOHNSEN'S 32 oz. HYDRAULIC JACK OIL			
5302	20 TON	9 1/2"	18"	40 lbs.

\*NO WARRANTY ON NOTED ITEMS



Phone 800-552-2938



priortiresupply.com

